



---

**INSTRUCTIONS  
FOR USE**

---

**RO-MAN<sup>®</sup>**

**Installation Guide for  
Integrated Pump Box with  
Auto Flush**

## Installation Contents

Booster Pump

Low Pressure Switch

High Pressure Switch

Solenoid Valve

Auto Flush

Transformer

**Please read this entire guide prior to beginning installation.**

**If at anytime you are unsure how to proceed please contact the support team by emailing**

**[helpdesk@ro-man.com](mailto:helpdesk@ro-man.com)**

This Integrated Pump Box has been designed for quick and simple installation and maintenance. By carefully reading this instruction manual and following the operational guidelines you will ensure a successful installation with minimum disruption to the system.

**Please note that you will be required to cut pipe during this installation.**

## Installation Guide

These instructions are easy to follow and can be installed in a short amount of time. Should you have any queries prior to installation, please contact us for further advice and guidance.

## Preparation for Installation

Please note that you will be required to cut some pipe during this installation. We recommend using a pipe cutter for this. Should you not have a pipe cutter, a sharp knife will also be suitable.

## Installation of Pump Box

**The steps that follow on these instructions reflect the numbers on the pump box you will have received. The numbers displayed work from right, to far left and then centre.**

**Number 1** – Take a pipe from the last filter before it enters the membrane and put it into the port marked number 1.

**Number 2** – Take a pipe from the number 2 port and put this into the membrane housing where you removed the previous pipe.

**Number 3 & 4** – These two ports are required if you intend for the pump to switch on and off automatically.

**Number 3** – Take a pipe from the Reverse Osmosis Membrane and put it in the number 3 port. This pipe is normally the blue filtered water pipe.

**Number 4** – Take a pipe from the number 4 port and put this into your float switch, tap or whichever method you use to control or stop the water flow.

**Number 5** – Take the waste pipe from your membrane. This will be your waste in.

**Number 6** – Waste out.

Once you have completed the steps above, please ensure that you have turned the water supply fully on.

Switch on the water supply.

Connect the electricity supply to the side of the pump box.

Please note that the pump will not start without the water supply being switched on.

## Maintenance

This pump box needs little maintenance in order to keep operating. This pump box will pump in excess of 100 PSI from systems between 50 GPD – 100 GPD and in excess of 140 PSI from systems between 150 GPD – 300 GPD.

Spares and accessories are available through our website.

## Manufacturer Information

Name: RO-Man Water Filtration

Address: 7 Creagh Road

Toomebridge

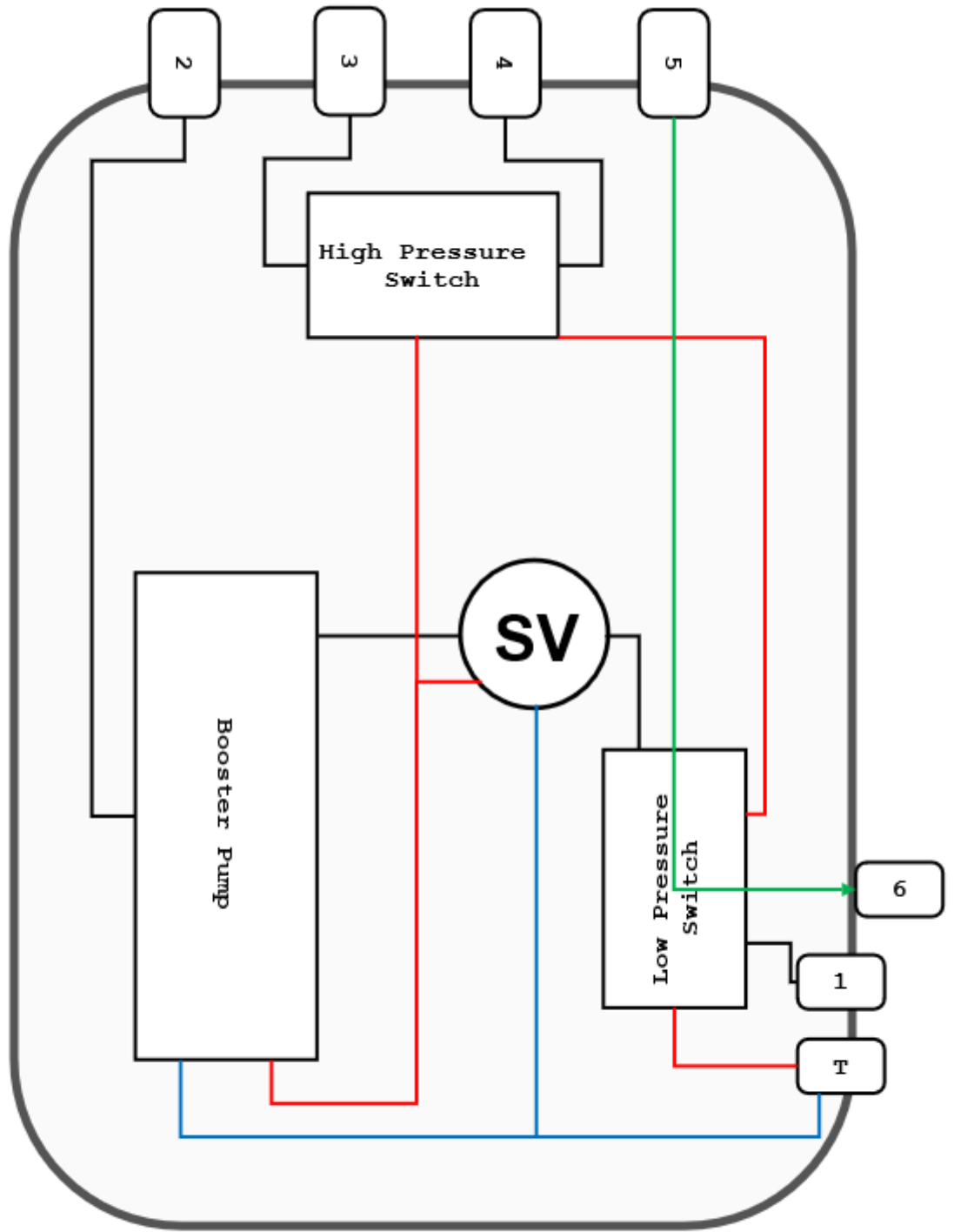
Antrim

BT41 3SE

Telephone: 01823698813

Email: [helpdesk@ro-man.com](mailto:helpdesk@ro-man.com)

# Integrated Pump Box





**RO-MAN<sup>®</sup>**

**For assistance and enquiries please contact the  
support team:**

**T: 01823698813**

**E: [helpdesk@ro-man.com](mailto:helpdesk@ro-man.com)**